



8. SWITCHING OFF UNIT

- Press and hold the operator button for 5 seconds. The shutdown menu appears, continue to hold button until the unit counts down to shut off.

9. STORAGE AND CARE

- The Tetra 4 should be stored in a clean, dry area, non-hazardous area, 0-30°C, 10-95%RH, in the storage box provided by MGF.

10. DISCLAIMER

- Failure to adhere to the instructions supplied with the equipment may invalidate any claims with respect to damage, death or injury due to the misuse or malfunctioning of the apparatus.

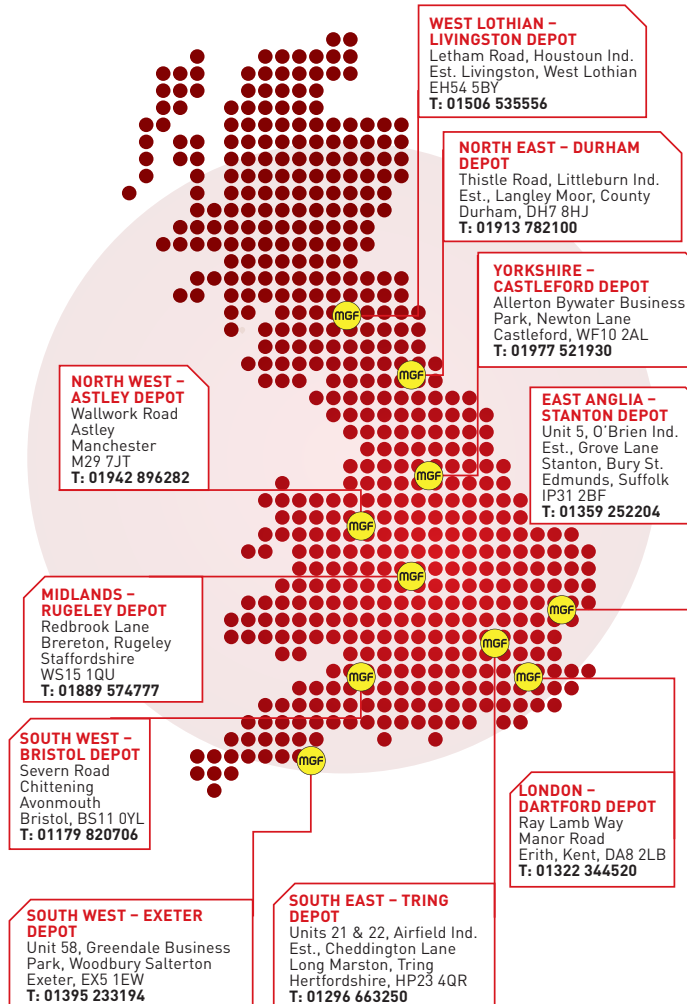
WARNINGS

- **WARNING - Do not try to modify or change the equipment in any way as this could void any warranty or cause damage to this equipment or persons using it**



HEAD OFFICE
GRANT HOUSE
LOCKETT ROAD
ASHTON IN
MAKERFIELD
WIGAN
WN4 8DE

ENGINEERING CENTRE
FOUNDATION HOUSE
WALLWORK ROAD
ASTLEY
MANCHESTER
M29 7JT



USER GUIDE: CROWCON TETRA 4 GAS DETECTOR MULTI-GAS MONITORING SYSTEM



PLEASE READ & UNDERSTAND THIS USER GUIDE PRIOR TO COMPILING A SAFE SYSTEM OF WORK AND USING THE EQUIPMENT SUPPLIED

For the latest version of this document visit mgf.co.uk

mgf.co.uk

mgf.co.uk

enquiries@mgf.co.uk

0808 163 7672



1. IMPORTANT NOTES

- For the use of MGF supplied equipment only.
- Ensure users are fully trained in the operation of this equipment and a site specific safe system of works is in place and adhered to.
- It is essential that site specific risk assessments are undertaken.
- Do not try to modify or change the equipment in any way as this could void any warranty or cause damage to equipment or persons using it.
- If in doubt concerning the integrity of any part of the equipment DO NOT USE IT

2. CROWCON TETRA 4 GAS DETECTOR

- The Tetra 4 multi-gas monitor is a compact, robust and easy-to-use diffusion based detector. Single button operation, small size and clear top-mounted display make it a favourite in the market amongst those working in demanding industrial environments; such as those in the water, telecoms, food, brewing or hydrocarbons sectors.

Specifications

Size	135 x 80 x 35mm (5.3 x 3.1 x 1.4ins)
Weight	282g (9.9oz)
Alarms	Audible: 95dB Vibrating Visible: Bright red & blue LED's
Display	Front mounted Backlit 180° flip for easy viewing while working
Data Logging	130 hours of data at 10 second intervals
Event Logging	Approx. 3500 events
Battery	Rechargeable Li-ion battery Up to 18 hours runtime 5.5 hour recharge
Operating Temperature	-20°C to +55°C (-4°F to + 131°F)
Humidity	10-95% RH @ 40°C non-condensing
Ingress Protection	Independently tested to IP65 and IP67
Compliance	EMC Directive 2014/30/EU CE, FCC and ICES-003

GASES AND RANGES

Gas	Range	Resolution
Flammable (Methane)	0-100% LEL	1% LEL
Oxygen (O ₂)	0-30% vol.	0.1% vol.
Hydrogen sulphide (H ₂ S)	0-100ppm	1ppm
Carbon monoxide (CO)	1-1000ppm	1ppm

- While these are the standard gases we use, we have the ability to provide detection for other gases, please speak to the MGF Safety Department for further details.

4. MGF EXAMINATION AND TESTING

- Upon return to MGF the equipment will be cleaned, inspected and function tested by a competent and trained MGF safety technician.

5. VISUAL INSPECTION / FUNCTIONAL TEST - PRIOR TO USE

- Before the start of each use ensure that the equipment is clean and free from debris and there are no obvious defects.
- Ensure that the item has a green tag, stating when it was last inspected.
- Each item comes with a unique ID number, please ensure this can be found.

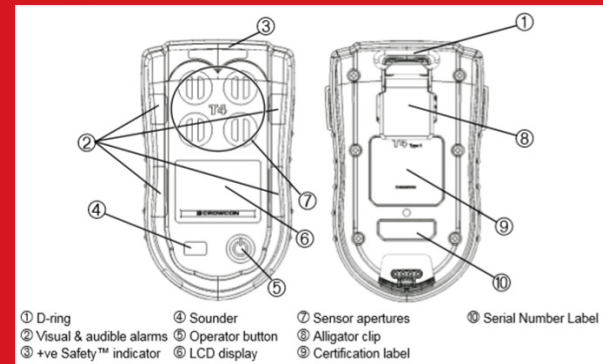


Figure 1

6. USING THE CROWCON TETRA 4 GAS DETECTOR

- Switching on your unit
 - 1) Ensure the unit is in clean air.
 - 2) Switch on – Hold down the operator button for 3 audible blips followed by one longer tone.



Figure 2

- 3) If the T4 is switched on within 8 hours of being switched off, the following screen will be displayed for 10 seconds allowing the T4 to retain TWA, STEL and peak readings, simply press the operator button to retain, or allow the count to expire.
- 4) The screen will cycle through displaying the serial number, firmware version, configured user name, sensor lower and upper alarm levels, next calibration and bump test due dates, the date and time and autozero screen.
- 5) The screen will then revert to the normal operation home screen, as shown below.

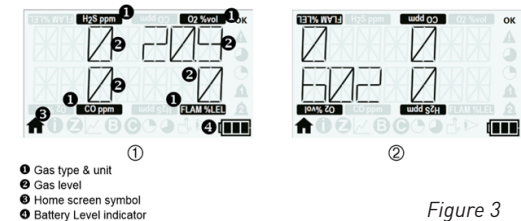


Figure 3

7. IN THE EVENT OF AN ALARM

- In the event of gas concentrations exceeding the alarm thresholds for any gas being monitored, the T4 will activate the alarm signals.
- Alarm signals – The red and blue alarm LEDs will flash, the sounder will emit a tone, the internal vibrator alarm will activate. The operator screen will display the gas in alarm and alarm level.
- When the gas level returns to normal, press the operator button. This will reset your T4 unit to normal run mode. If gas levels are still in alarm, the button will have no effect.
- The T4 will also indicate if the battery has less than 30 minutes of life remaining, the sounder will emit a double blip every 5 seconds and the display will flash the battery empty icon. When the alarm sounds the user should move to a safe area before the 30 minutes expires.